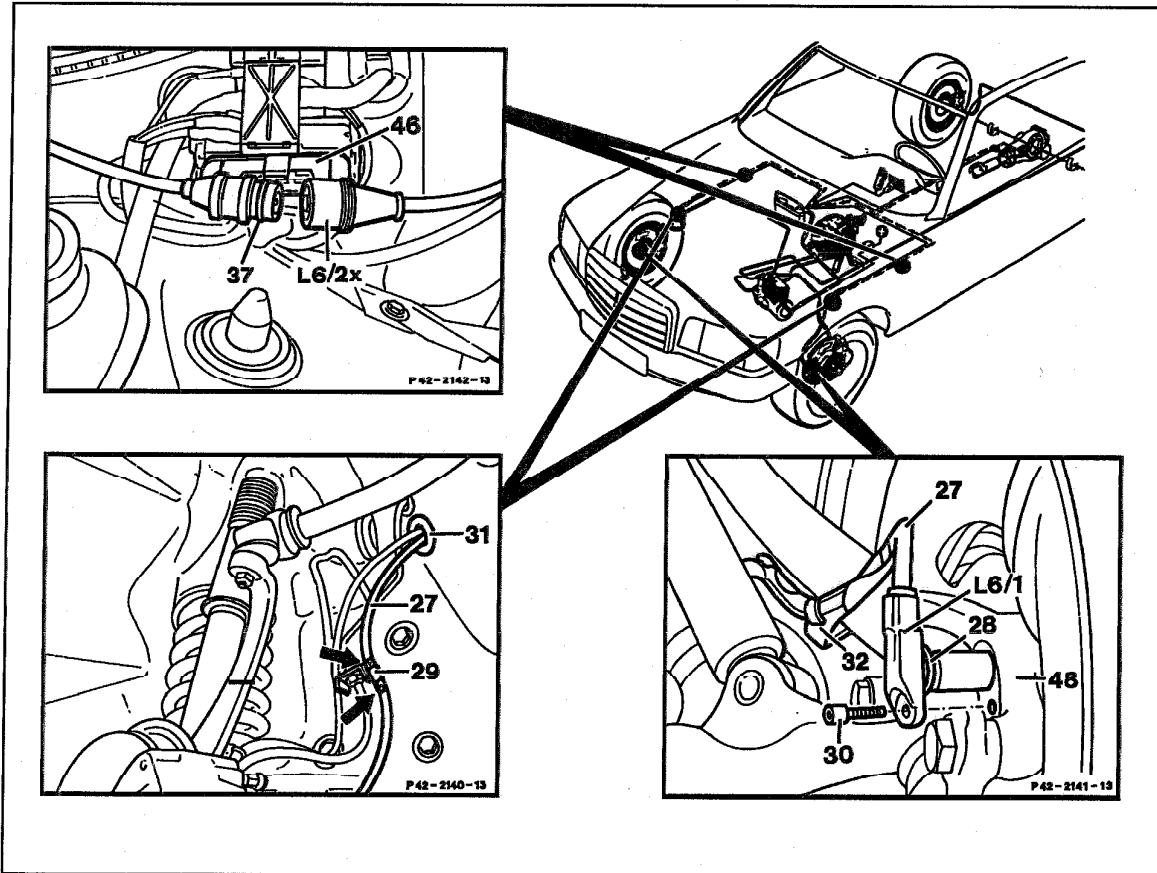


42-712 R and R front axle VSS sensors (L6/1, L6/2)



P42-0232-57

- |                                      |   |
|--------------------------------------|---|
| Front wheel .....                    | remove, refit.  |
| Coaxial plug (L6/1x and L6/2x) ..... | remove from the bracket (46) and disconnect with ignition switched off. Check O-ring (37) before connecting, replace if necessary.  |
| Cable (27) .....                     | remove from wheel house downwards through rubber grommet (31). When installing, ensure that the cable (27) is correctly clipped in the bracket (29). The color marking band on the vehicle speed signal sensor cable must be located above and below the clipping point (arrows). |

## 42-712 R and R front axle VSS sensors (L6/1, L6/2)

---

Cable (27) .....	remove from bracket (32), install.
Self-locking hexagon socket bolts (30) .....	unscrew, replace, 22 Nm.
Vehicle speed signal sensor (L6/1 or L6/2) .....	remove complete with the cable (27). Before installing, coat vehicle speed signal sensor and bore in steering knuckle (48) with Molykote Longterm 2. There must not be any metallic foreign bodies on the magnetic edge of the vehicle speed signal sensor. Check O-ring (28), replace if required. Ensure that the flange of the vehicle speed signal sensor abuts the steering knuckle. Do not use force.
Test program .....	perform (42-720).